

| |
|-----------|
| PROJECT |
| TYPE |
| SPECIFIER |
| QUANTITY |
| DATE |

HANGOVER MONOPOINT RECESSED CANOPY SUSPENSION

A300151-

| | | | | | | | |
|-------------|-------------------|--------------------|---------------------|-------------------|-------------------|------------|---------------------|
| base number | Color Temperature | Finishes (Diamond) | Finishes (Triangle) | Finishes (Circle) | Reflector Options | Shine Ring | Cable Color Options |
|-------------|-------------------|--------------------|---------------------|-------------------|-------------------|------------|---------------------|

- To build a product code in our configurator select the specify button on the base model # product page
- To build a manual product code on this datasheet choose from the options listed below in blue font and add the suffix to the base model #

GENERAL

| |
|-----------------------------------------------|
| Series: Hangover |
| Subseries: Hangover Monopoint Recessed Canopy |
| Brand: Prolicht |
| Division: Architectural |
| Mounting Type: Suspension |
| Mounting Location: Ceiling |
| Subcategory: Pendant |

PHYSICAL

| |
|---------------------------------------------------------------------------------------------------------------------------------------------------------------------------------------|
| Shape: Cylinder |
| Diameter (mm): 40 |
| Diameter (in): 1 9/16 |
| Height (mm): 300 |
| Height (in): 11 13/16 |
| Max. Overall Height (mm): 2300 |
| Max. Overall Height (in): 90 9/16 |
| Light Distribution: Downlight |
| Diffuser: Shine Ring 0-6 |
| Fixture Finish: SSR / BKV / CWI / CRY / HAB / UFT / ITA / RUA / FTG / MYG / LOD / PUS / FRO / FUP / KIA / POP / BLS / SPG / MEY / GOH / GUM / CHC / COM / ABZ / JAG / OBR / MOS / ROR |
| Fixture Material: Aluminum |
| Cable Details: 2000mm / 6000mm Cable in White / Black / Orange / Red |
| Cut-out Measurements: 68mm / 2 11/16" |

ELECTRICAL

| |
|--------------------------------------------------------------|
| Lamp Type: LED (Zhaga Standard) |
| Input Wattage (W): 10.9 |
| Total Output Wattage (W): 9 |
| Dimming: Non-Dimmable |
| Driver Included: Yes |
| Driver Location: External |
| Driver Type: Constant Current |
| Driver Class: Class 2 |
| Input Voltage (V): 120 |
| Constant Current (mA): 500 |
| Upon Request: Remote: 0-10Vdc dimming / Phase dimming 120Vac |

LED

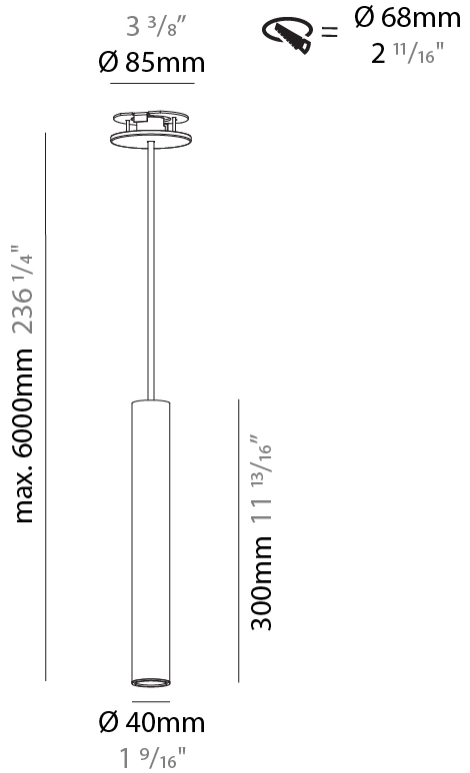
| |
|-----------------------------------------------------------------------------------------|
| Number of LEDs: 1 |
| Color Temperature (°K): 2700 / 3000 / 4000 |
| Max. Delivered Lumen (lm): 842 |
| CRI: >90 CRI |
| Lamp Life (hrs): 50000 |
| Upon Request: ***3500K available in minimum quantities (larger quantities upon request) |

OPTICAL

| |
|---------------------|
| Reflector°: 40 / 50 |
|---------------------|

RATINGS AND CERTIFICATIONS

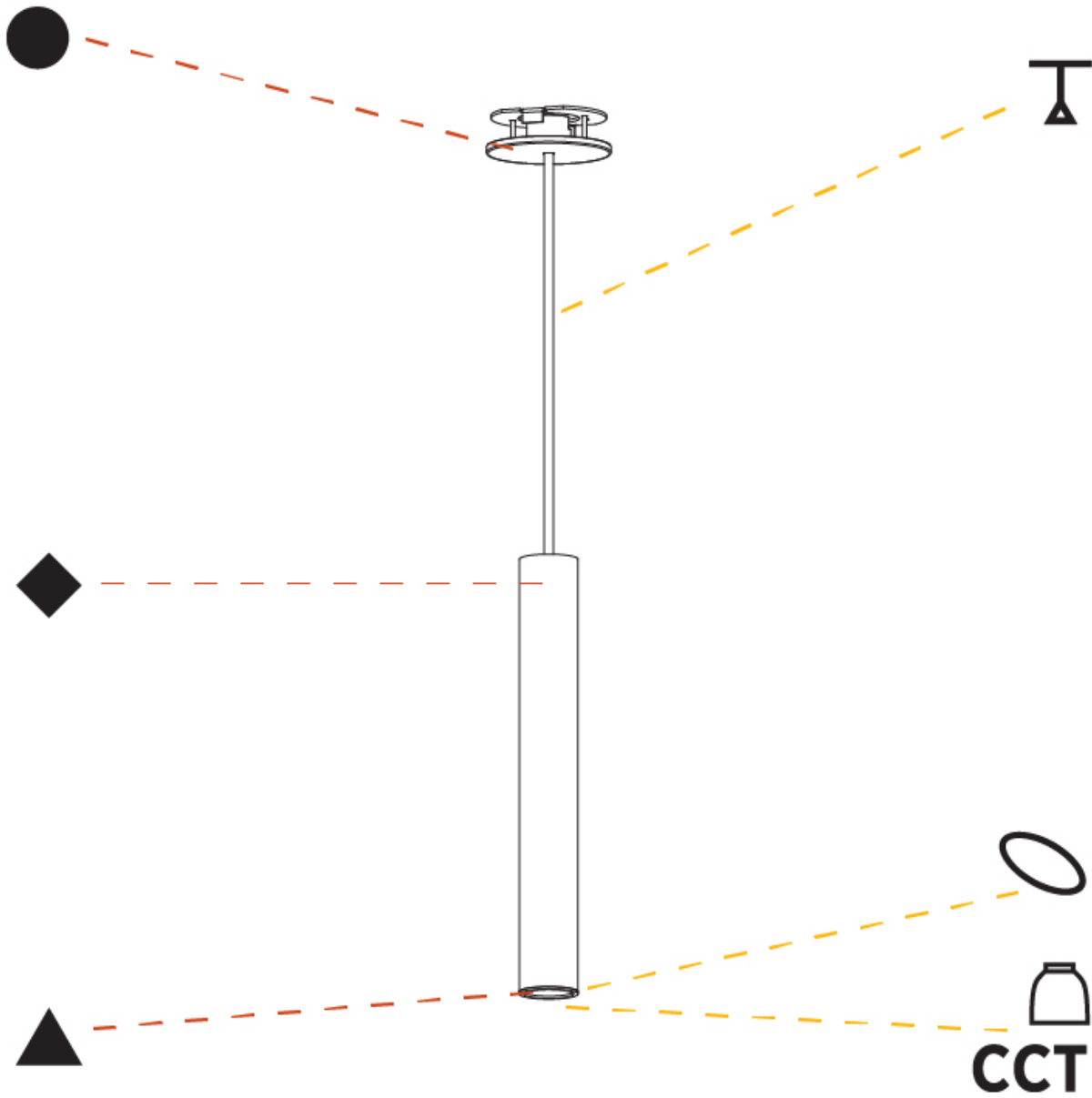
| |
|------------------------------------------------------|
| Certified By: Certified for North American Standards |
| IP rating: IP20 |



HANGOVER MONOPOINT RECESSED CANOPY SUSPENSION

A300151-

| |
|-----------|
| PROJECT |
| TYPE |
| SPECIFIER |
| QUANTITY |
| DATE |



| |
|-----------|
| PROJECT |
| TYPE |
| SPECIFIER |
| QUANTITY |
| DATE |

HANGOVER MONOPOINT RECESSED CANOPY SUSPENSION

A300158-

| | | | | | | | |
|-------------|-------------------|--------------------|---------------------|-------------------|-------------------|------------|---------------------|
| base number | Color Temperature | Finishes (Diamond) | Finishes (Triangle) | Finishes (Circle) | Reflector Options | Shine Ring | Cable Color Options |
|-------------|-------------------|--------------------|---------------------|-------------------|-------------------|------------|---------------------|

- To build a product code in our configurator select the specify button on the base model # product page
- To build a manual product code on this datasheet choose from the options listed below in blue font and add the suffix to the base model #

GENERAL

| |
|-----------------------------------------------|
| Series: Hangover |
| Subseries: Hangover Monopoint Recessed Canopy |
| Brand: Prolicht |
| Division: Architectural |
| Mounting Type: Suspension |
| Mounting Location: Ceiling |
| Subcategory: Pendant |

PHYSICAL

| |
|---------------------------------------------------------------------------------------------------------------------------------------------------------------------------------------|
| Shape: Cylinder |
| Diameter (mm): 75 |
| Diameter (in): 2 ¹⁵ / ₁₆ |
| Height (mm): 300 |
| Height (in): 11 ¹³ / ₁₆ |
| Max. Overall Height (mm): 2300 |
| Max. Overall Height (in): 90 ⁹ / ₁₆ |
| Light Distribution: Downlight |
| Diffuser: Shine Ring 0-6 |
| Fixture Finish: SSR / BKV / CWI / CRY / HAB / UFT / ITA / RUA / FTG / MYG / LOD / PUS / FRO / FUP / KIA / POP / BLS / SPG / MEY / GOH / GUM / CHC / COM / ABZ / JAG / OBR / MOS / ROR |
| Fixture Material: Aluminum |
| Cable Details: 2000mm / 6000mm Cable in White / Black / Orange / Red |
| Cut-out Measurements: 68mm / 2 11/16" |

ELECTRICAL

| |
|-----------------------------------------------------------------------------------|
| Lamp Type: LED (Zhaga Standard) |
| Input Wattage (W): 10.9 |
| Total Output Wattage (W): 9 |
| Dimming: Tri-Mode (Non-Dimming and Phase Dimming (120Vac only) and 0-10V Dimming) |
| Driver Included: Yes |
| Driver Location: External |
| Driver Type: Constant Current - Universal |
| Driver Class: Class 2 |
| Housing: ENCP3 w/Quick Connect |
| Input Voltage (V): 120 - 277 |
| Constant Current (MA): 500 |

LED

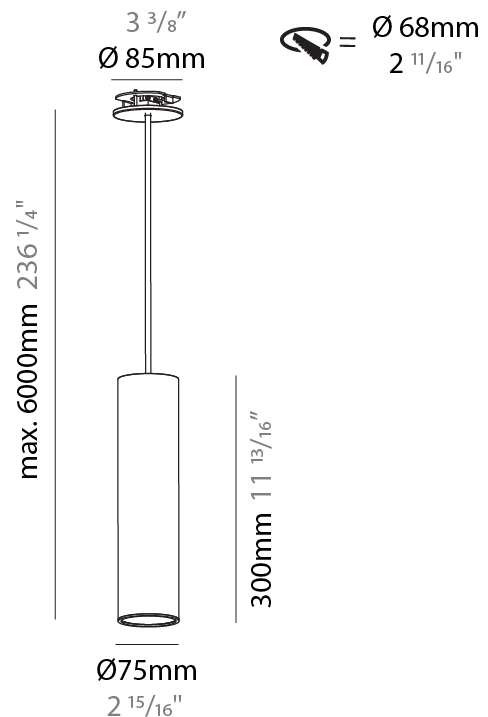
| |
|-----------------------------------------------------------------------------------------|
| Number of LEDs: 1 |
| Color Temperature (°K): 2700 / 3000 / 4000 |
| Max. Delivered Lumen (lm): 923 |
| CRI: >90 CRI |
| Lamp Life (hrs): 50000 |
| Upon Request: ***3500K available in minimum quantities (larger quantities upon request) |

OPTICAL

| |
|-------------------------|
| Reflector: 18 / 36 / 52 |
|-------------------------|

RATINGS AND CERTIFICATIONS

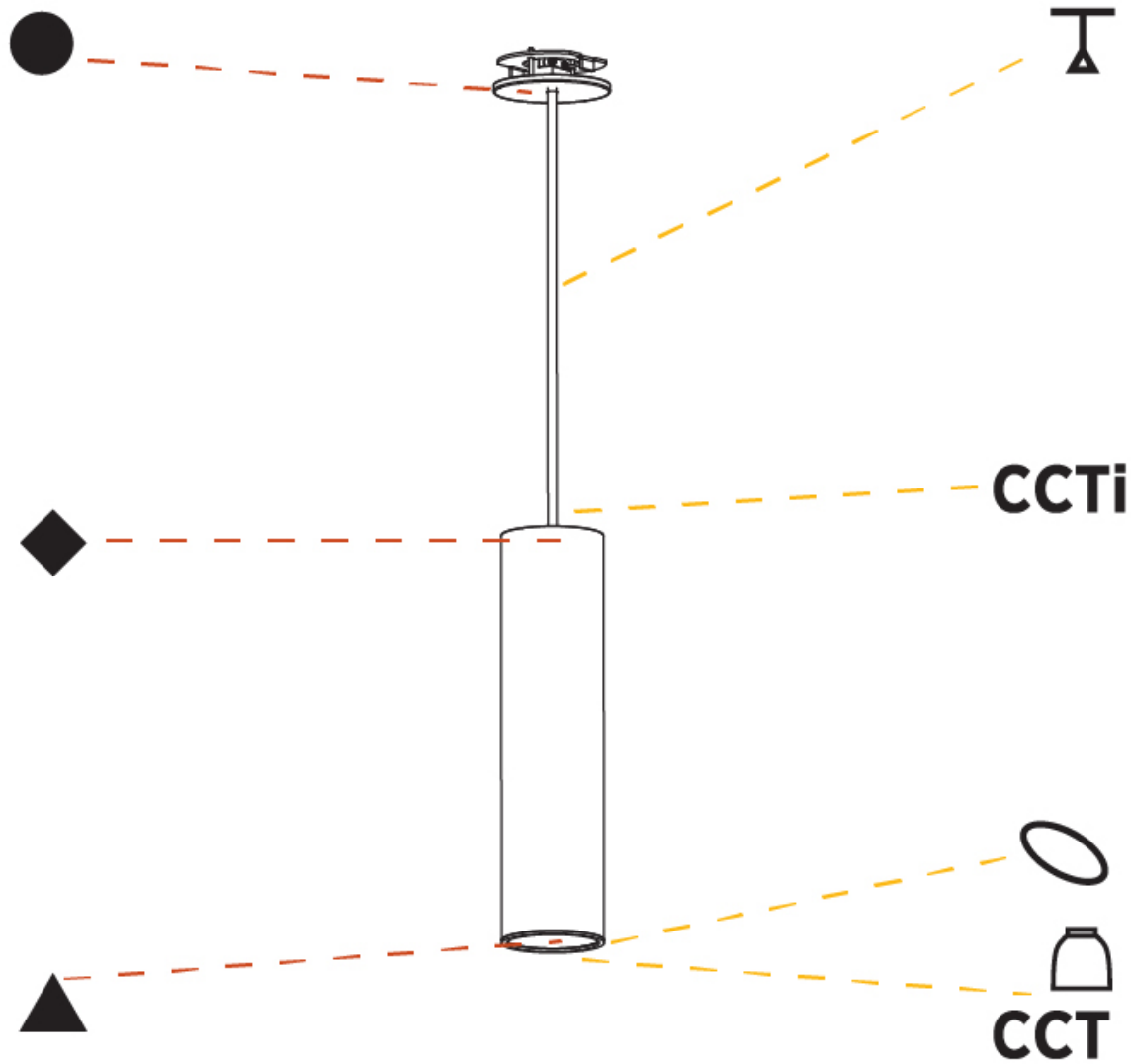
| |
|------------------------------------------------------|
| Certified By: Certified for North American Standards |
| IP rating: IP20 |



HANGOVER MONOPOINT RECESSED CANOPY SUSPENSION

A300158-

| |
|-----------|
| PROJECT |
| TYPE |
| SPECIFIER |
| QUANTITY |
| DATE |



A

| |
|-----------|
| PROJECT |
| TYPE |
| SPECIFIER |
| QUANTITY |
| DATE |

HANGOVER MONOPOINT RECESSED CANOPY SUSPENSION

A300159-

| | | | | | | | |
|-------------|-------------------|--------------------|---------------------|-------------------|-------------------|------------|---------------------|
| base number | Color Temperature | Finishes (Diamond) | Finishes (Triangle) | Finishes (Circle) | Reflector Options | Shine Ring | Cable Color Options |
|-------------|-------------------|--------------------|---------------------|-------------------|-------------------|------------|---------------------|

- To build a product code in our configurator select the specify button on the base model # product page
- To build a manual product code on this datasheet choose from the options listed below in blue font and add the suffix to the base model #

GENERAL

| |
|-----------------------------------------------|
| Series: Hangover |
| Subseries: Hangover Monopoint Recessed Canopy |
| Brand: Prolicht |
| Division: Architectural |
| Mounting Type: Suspension |
| Mounting Location: Ceiling |
| Subcategory: Pendant |

PHYSICAL

| |
|---------------------------------------------------------------------------------------------------------------------------------------------------------------------------------------|
| Shape: Cylinder |
| Diameter (mm): 75 |
| Diameter (in): 2 ¹⁵ / ₁₆ |
| Height (mm): 300 |
| Height (in): 11 ¹³ / ₁₆ |
| Max. Overall Height (mm): 2300 |
| Max. Overall Height (in): 90 ⁹ / ₁₆ |
| Light Distribution: Direct / Indirect / Downlight |
| Diffuser: Shine Ring 0-6 |
| Fixture Finish: SSR / BKV / CWI / CRY / HAB / UFT / ITA / RUA / FTG / MYG / LOD / PUS / FRO / FUP / KIA / POP / BLS / SPG / MEY / GOH / GUM / CHC / COM / ABZ / JAG / OBR / MOS / ROR |
| Fixture Material: Aluminum |
| Cable Details: 2000mm / 6000mm Cable in White / Black / Orange / Red |
| Cut-out Measurements: 68mm / 2 11/16" |

ELECTRICAL

| |
|-----------------------------------------------------------------------------------|
| Lamp Type: LED (Zhaga Standard) |
| Input Wattage (W): 10.9 |
| Total Output Wattage (W): 9 |
| Dimming: Tri-Mode (Non-Dimming and Phase Dimming (120Vac only) and 0-10V Dimming) |
| Driver Included: Yes |
| Driver Location: External |
| Driver Type: Constant Current - Universal |
| Driver Class: Class 2 |
| Housing: ENCP3 w/Quick Connect |
| Input Voltage (V): 120 - 277 |
| Constant Current (MA): 500 |

LED

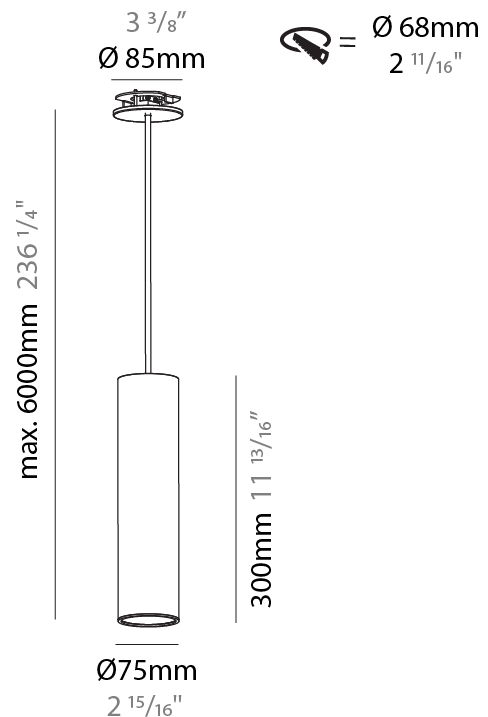
| |
|-----------------------------------------------------------------------------------------|
| Number of LEDs: 1 |
| Color Temperature (°K): 2700 / 3000 / 4000 |
| Max. Delivered Lumen (lm): 923 |
| CRI: >90 CRI |
| Lamp Life (hrs): 50000 |
| Upon Request: ***3500K available in minimum quantities (larger quantities upon request) |

OPTICAL

| |
|-------------------------|
| Reflector: 18 / 36 / 52 |
|-------------------------|

RATINGS AND CERTIFICATIONS

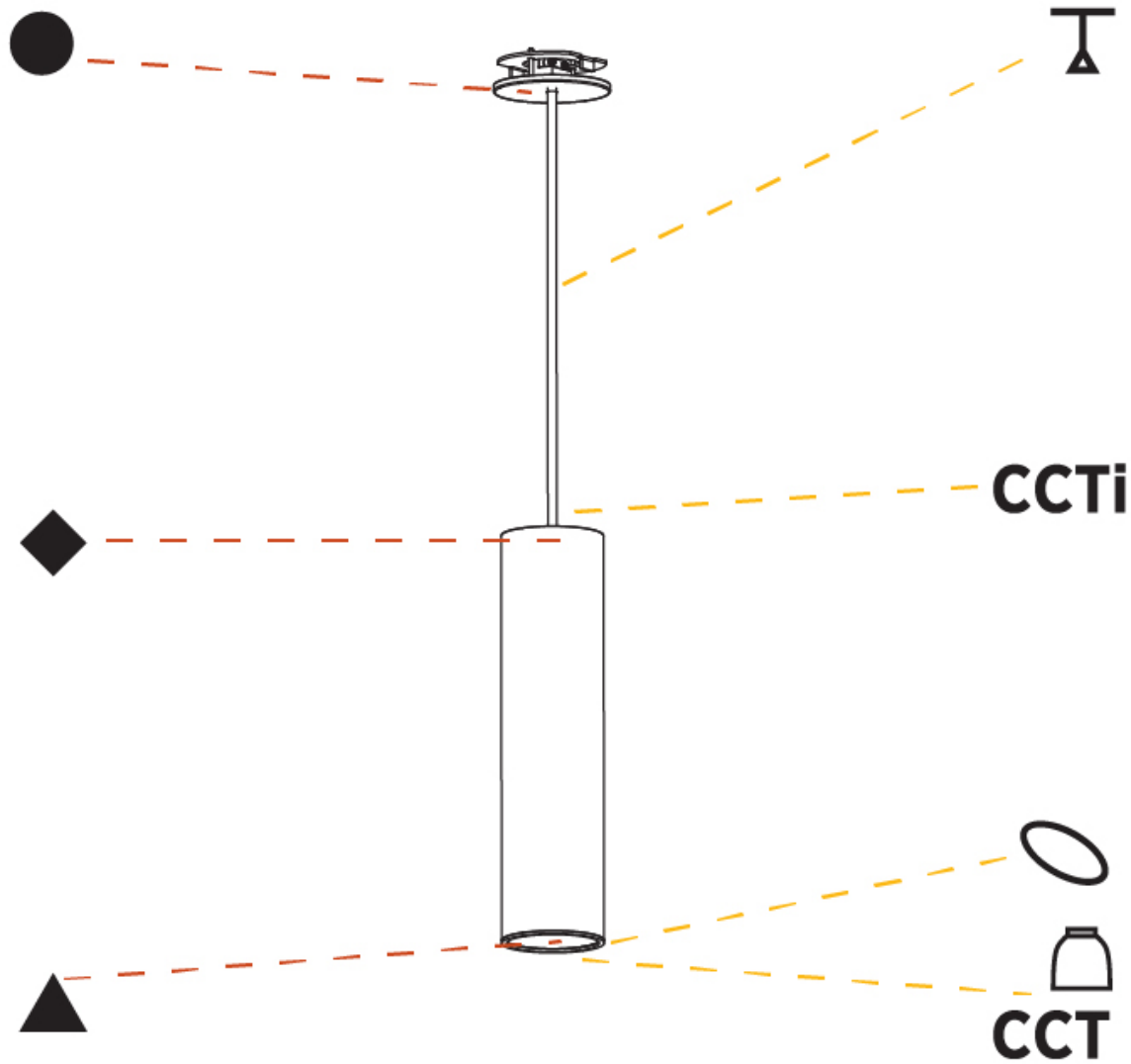
| |
|------------------------------------------------------|
| Certified By: Certified for North American Standards |
| IP rating: IP20 |



| | |
|-----------|-------|
| PROJECT | _____ |
| TYPE | _____ |
| SPECIFIER | _____ |
| QUANTITY | _____ |
| DATE | _____ |

HANGOVER MONOPOINT RECESSED CANOPY SUSPENSION

A300159-



A

HANGOVER COLOR FINISH CHART

| |
|-----------|
| PROJECT |
| TYPE |
| SPECIFIER |
| QUANTITY |
| DATE |

Fixture Finish

Sparkling Silver - 01 (SSR)



Black Velvet - 02 (BKV)



Crystal White - 03 (CWI)



Creamy - 04 (CRY)



Hampton Bay - 05 (HAB)



Urban Forest - 07 (UFT)



In the Army - 08 (ITA)



Rusty Angel - 09 (RUA)



Fade to Gray - 12 (FTG)



Mysterious Gray - 13 (MYG)



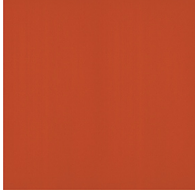
Lost Dream - 15 (LOD)



Purple Sky - 16 (PUS)



Fresh Oh - 17 (FRO)



Funky P. - 18 (FUP)



Kissing Aphrodite - 19 (KIA)



Poseidon's Paradise - 20 (POP)



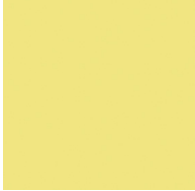
Blue Sky - 21 (BLS)



Spring Green - 22 (SPG)



Mellow Yellow - 23 (MEY)



Golden Heart - 24 (GOH)



Gun Metal - 25 (GUM)



Champagne Cream - 26 (CHC)



Copper Mine - 27 (COM)



Ancient Bronze - 28 (ABZ)



Jazz Gold - 29 (JAG)



Olive Breeze - 30 (OBR)



Moonlight Silver - 31 (MOS)



Rosewood Red - 32 (ROR)



Digital: Not all screens are calibrated the same, and therefore, colors will appear differently between screens.

Physical: When texture is involved, there will be variations in color, character and tone within a product series and between product families.

Gun Metal: No Gun Metal finish is alike. It combines a mixture of transparent and black color particles which ensures a highly individual effect and no luminaire being identical.

Champagne Cream, Copper Mine, Ancient Bronze + Jazz Gold: These finishes have slight fading from specific powder coating production. Each luminaire will slightly vary.



LEGEND

| | | | | | |
|------------------------------------------------------------------------------------|-----------------------------------------------------------|-------------------------------------------------------------------------------------|--------------------------------------------------------------|---------------------------------------------------------------------------------------|------------------------------------------------------------------------------------------------|
|  | floor-mounted |  | pivotal |  | special LED (upon request) RGB, RGBW, tunable, gold+, meat+, art+, fashion+ |
|  | wall and ceiling: recessed and surface mounted |  | rotating |  | warm dim / natural dimming LED |
|  | ceiling-mounted and wall-mounted |  | illuminate tilted |  | rechargeable battery powered |
|  | wall-mounted |  | color of suspension cable |  | fixture with natural vivid LED (upon request) |
|  | omni-directional light distribution |  | length of suspension cable |  | color rendering index |
|  | direct light distribution |  | reflector degree selection |  | color temperature |
|  | direct/indirect light distribution |  | super spot |  | lumen (luminous flux) |
|  | indirect light distribution |  | lens |  | efficacy (lumens per watt) |
|  | asymmetric light distribution |  | lens pack |  | Unified Glare Rating (UGR) range from 5-40 |
|  | aura light distribution |  | shine ring |  | marine grade (AISI 316 stainless steel) |
|  | round wall or ceiling cut-out |  | integrated shine ring with diffuser |  | walk on |
|  | square wall or ceiling cut-out |  | free individual colors 01-29 |  | drive on |
|  | the supplied jig specifies the cutout dimensions |  | individual colors: 00 (free of charge), 01-25 (extra charge) |  | Dark Sky Compliance |
|  | minimum distance (meters) lamp - object |  | luminaire part to be colored (F1) |  | Americans with Disabilities Act (less than 4" off the wall located between 27"-84" from floor) |
|  | recessed depth |  | luminaire part to be colored (F2) |  | lamp protected against explosion |
|  | ceiling thickness in mm |  | luminaire part to be colored (F3) |  | blown glass using traditional methods by master glass blower |
|  | ceiling thickness selection |  | luminaire part to be colored (F4) |  | acoustic material |
|  | dimnable DP (phase), DV (0-10V), DD (dali), DS (step-dim) |  | luminaire part to be colored (F5) |  | protection class I, protection insulation |
|  | included or excluded LED driver/transformer/control gear |  | color of 3-circuit adaptor |  | protection class II, protection insulation |
|  | separately switchable |  | indirect diffuser |  | ETL Certified to UL and CSA Standards |
|  | sensor |  | direct diffuser |  | UL Certified to UL and CSA Standards |
|  | remote control |  | ball-proof (upon request) |  | CSA Certified to UL and CSA Standards |
|  | available upon request |  | accessory |  | Certified for North American Standards |

IP RATING

| | |
|-----------------------------------------------------------------------------------|--------------------------------------------------------------------------------------------------------------------------------------------------|
|  | protected against ingress of solid bodies greater than 12.5mm (finger) |
|  | protected against ingress of solid bodies greater than 2.5mm protected against sprays of water up to 60 degrees from the vertical (rain) |
|  | protected against ingress of solid bodies greater than 1mm (wire) no protection against the ingress of moisture |
|  | protected against ingress of solid bodies greater than 1mm (wire) protected against sprays of water up to 60 degrees from the vertical (rain) |
|  | protected against ingress of solid bodies greater than 1mm (wire) protected against water splashed from all directions |
|  | protected against limited ingress of dust (wet rooms/covered outdoor areas) protected against water splashed from all directions |
|  | protected against ingress of dust protected against jets of water |
|  | protected against ingress of dust protected against powerful jets of water or heavy seas |
|  | protected against ingress of dust protected against immersion of water between 15cm - 1m for 30 minutes |
|  | protected against ingress of dust protected against immersion of water under pressure for long periods |

IK RATING

| | |
|-------------------------------------------------------------------------------------|-------------------------------------------------------------------------------------------------------|
|  | protected against 0.14 joules impact (equivalent to 0.25kg mass dropped from 56mm above the surface) |
|  | protected against 0.2 joules impact (equivalent to 0.25kg mass dropped from 80mm above the surface) |
|  | protected against 0.35 joules impact (equivalent to 0.25kg mass dropped from 140mm above the surface) |
|  | protected against 0.5 joules impact (equivalent to 0.25kg mass dropped from 200mm above the surface) |
|  | protected against 0.7 joules impact (equivalent to 0.25kg mass dropped from 280mm above the surface) |
|  | protected against 1 joules impact (equivalent to 0.25kg mass dropped from 400mm above the surface) |
|  | protected against 2 joules impact (equivalent to 0.5kg mass dropped from 400mm above the surface) |
|  | protected against 5 joules impact (equivalent to 1.7kg mass dropped from 300mm above the surface) |
|  | protected against 10 joules impact (equivalent to 5.0kg mass dropped from 200mm above the surface) |
|  | protected against 20 joules impact (equivalent to 5.0kg mass dropped from 400mm above the surface) |